

DÖVME ÇELİK, DIŞLI REDÜKSİYON



3000 LB & 6000 LB
ANSI B 16.11

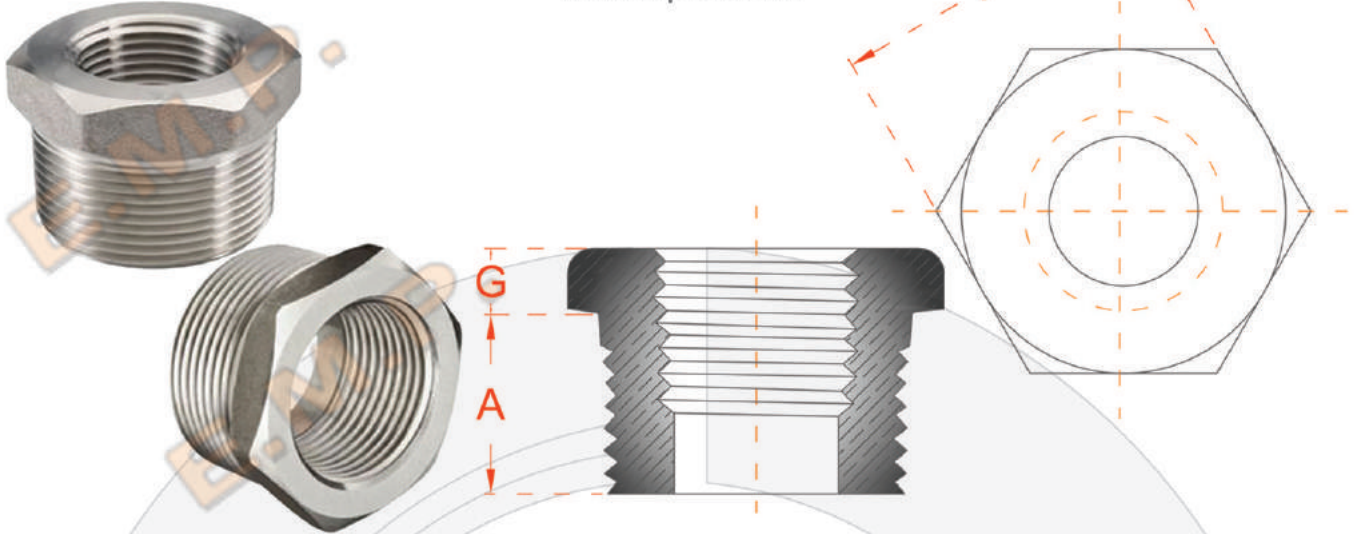


E.M.P.
www.emp.com.tr
www.empflans.com

THREADED FORGED STEEL REDUCER (BUSHING)



3000 LB & 6000 LB
ANSI B 16.11



	3000 LB & 6000 LB					
	A min.		F		G min.	
	mm	inc	mm	inc	mm	inc
3/8" x 1/4"	12.5	0.50	17.5	0.69	4	0.16
1/2" x 3/8"	14.5	0.56	22.0	0.88	5	0.19
1/2" x 1/4"	14.5	0.56	22.0	0.88	5	0.19
3/4" x 1/2"	16.0	0.62	27.0	1.06	6	0.22
3/4" x 1/4"	16.0	0.62	27.0	1.06	6	0.22
1" x 3/4"	19.0	0.75	35.0	1.38	6	0.25
1" x 1/2"	19.0	0.75	35.0	1.38	6	0.25
1" x 1/4"	19.0	0.75	35.0	1.38	6	0.25
1 1/4" x 1"	20.5	0.81	44.5	1.75	7	0.28
1 1/2" x 1"	20.5	0.81	51.0	2.00	8	0.31
1 1/2" x 3/4"	20.5	0.81	51.0	2.00	8	0.31
1 1/2" x 1/2"	20.5	0.81	51.0	2.00	8	0.31
2" x 1 1/2"	22.0	0.88	63.5	2.50	9	0.34
2" x 1"	22.0	0.88	63.5	2.50	9	0.34
2 1/2" x 2"	27.0	1.06	76.0	3.00	10	0.38
3" x 2"	28.5	1.12	89.0	3.50	10	0.41
4" x 3"	32.0	1.25	117.5	4.62	13	0.50
4" x 2"	32.0	1.25	117.5	4.62	13	0.50

Ölçüler mm olarak verilmiştir.
Çelik ve paslanmaz üretilebilir.

Dimensions are in mm.
Steel and stainless steel can be produce